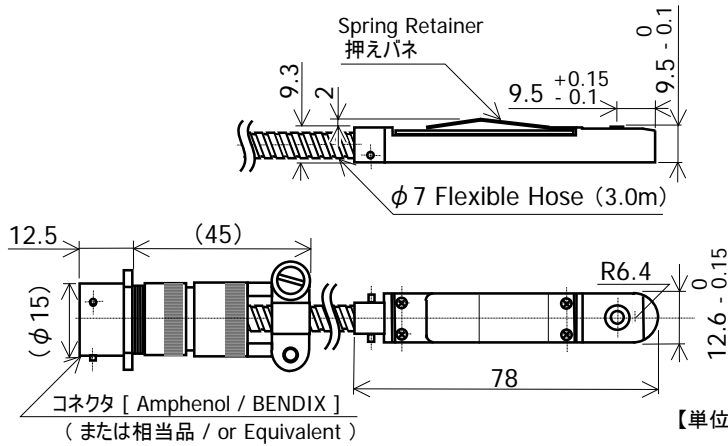


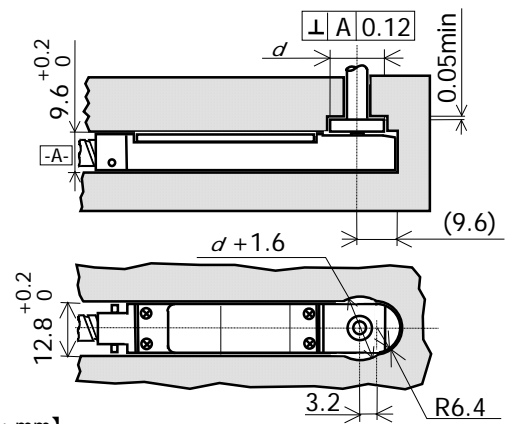
金型内圧センサー [間接式]

Slide-In type Pressure Transducer for Indirect Cavity Measurement

外形寸法 Dimensions



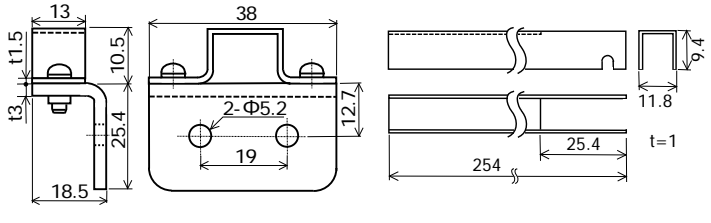
推奨取付穴 Mounting Hole Details



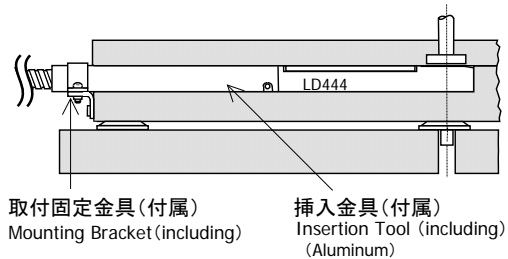
【単位(Units): mm】

取付固定金具
Mounting Bracket

挿入金具
Insertion Tool (Aluminum)



取付例 Mounting Example



取付固定金具(付属)
Mounting Bracket (including)

挿入金具(付属)
Insertion Tool (including)
(Aluminum)

型名 / Model:

LD444 - □□□

圧力レンジ Pressure Range	-225 N	0	225 N
	450 N	0	450 N
	1.1 kN	0	1,100 N
	2.5 kN	0	2,500 N
	4.5 kN	0	4,500 N
	10 kN	0	10,000 N

ピン径 × レンジ 推奨組合せ表 / Recommend Combination
(Pin diameter × Pressure Range)

Ejecter Pin dia. φ [mm]	Pressure(force) Range					
	225N	450N	1.1kN	2.5kN	4.5kN	10kN
φ 1.5	127.32	254.65				
φ 2.0	71.62	143.24	350.14			
φ 2.5	45.84	91.67	224.09			
φ 3.0	31.83	63.66	155.62	353.68		
φ 4.0	17.90	35.81	87.54	198.94	358.10	
φ 5.0	11.46	22.92	56.02	127.32	229.18	
φ 6.0	7.96	15.92	38.90	88.42	159.15	353.68
φ 8.0		8.95	21.88	49.74	89.52	198.94
φ 10.0	[MPa]		14.01	31.83	57.30	127.32
φ 12.0			9.73	22.10	39.79	88.42

(イジェクターピンに加わる力/[N])

$$= (\text{金型内圧/[MPa]} \times (\text{ピン直径 } \phi / [\text{mm}])^2 \times \pi / 4$$

仕様 Specifications

精度 Accuracy	±0.5%FS
再現性 Repeatability	±0.1%FS
許容過負荷 Overload	200%FS (15kN max)
応答性 Response Time	0.3ms typ (10%→90%)
たわみ Full range deflection	0.013 mm max
定格出力 Full Scale Output	2.1 ± 0.1 mV/V
零不平衡 Zero Balance	±5%FS
印加電圧 Excitation	6-10V DC (12V max)
ブリッジ抵抗 Bridge Resistance	350Ω (nominal)
内部校正抵抗 Shunt Calibration	80%FS±1.0%
最大使用温度 Max Temp.	センサー/Transducer 230°C * 樹脂/Melt Polymer 取付位置に依る
零点変動 Zero Shift due to Temp. Change	0.04%FS/°C max
感度変動 Sensitivity Shift due to Temp. Change	0.04%FS/°C max

* Temp. range for Sensor (not Polymer temp.)

型名/MODEL:

LD444

尺度/SCALE

NONE

図面番号/DRAWING NO.

H 6 4 4 4 1 0

変更/REV

A

B	225N deleted	MH	MK	AM	15 NOV 16
A	—	MH	MK	AM	04 JUL 11
REV	DESCRIPTION	APP	CHK	BY	DATE